



# Industrial Specialties Mfg.

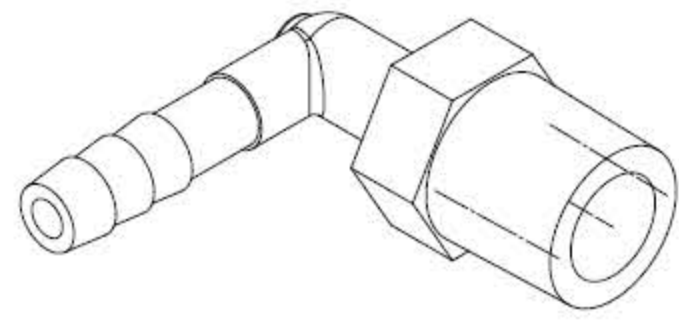
An ISO 9001:2008 Certified Company

4091 S. Eliot St., Englewood, CO 80110-4396 • 303-781-8486 FAX: 303-761-7939 • www.industrialspec.com

## MEB-316-4M-PP

3/16" Hose Barb  
1/4" Male NPT  
Natural Polypropylene

MFR# TE2043/PP



UNLESS OTHERWISE SPECIFIED:  
DIMENSIONS ARE IN INCHES  
TOLERANCES:  
ANGULAR:  $\pm 0.5^\circ$   
X.X =  $\pm 0.1$   
X.XX =  $\pm 0.05$   
X.XXX =  $+ 0.015$

