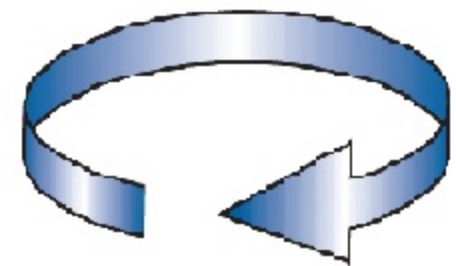
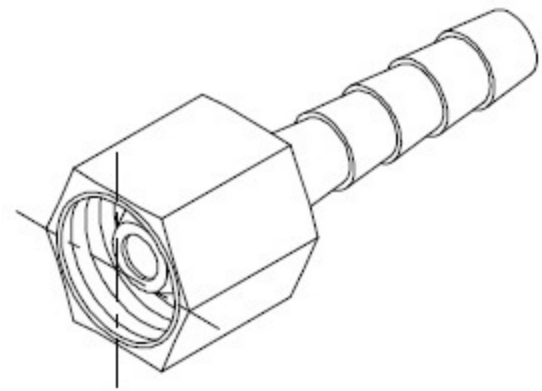




# Industrial Specialties Mfg.

An ISO 9001:2008 Certified Company

4091 S. Eliot St., Englewood, CO 80110-4396 • 303-781-8486 FAX: 303-761-7939 • [www.industrialspec.com](http://www.industrialspec.com)



**360° Swivel**

## FBSX-14-4F-B

**1/4" Hose Barb**  
**1/4" Female NPSM**  
**Brass**

