



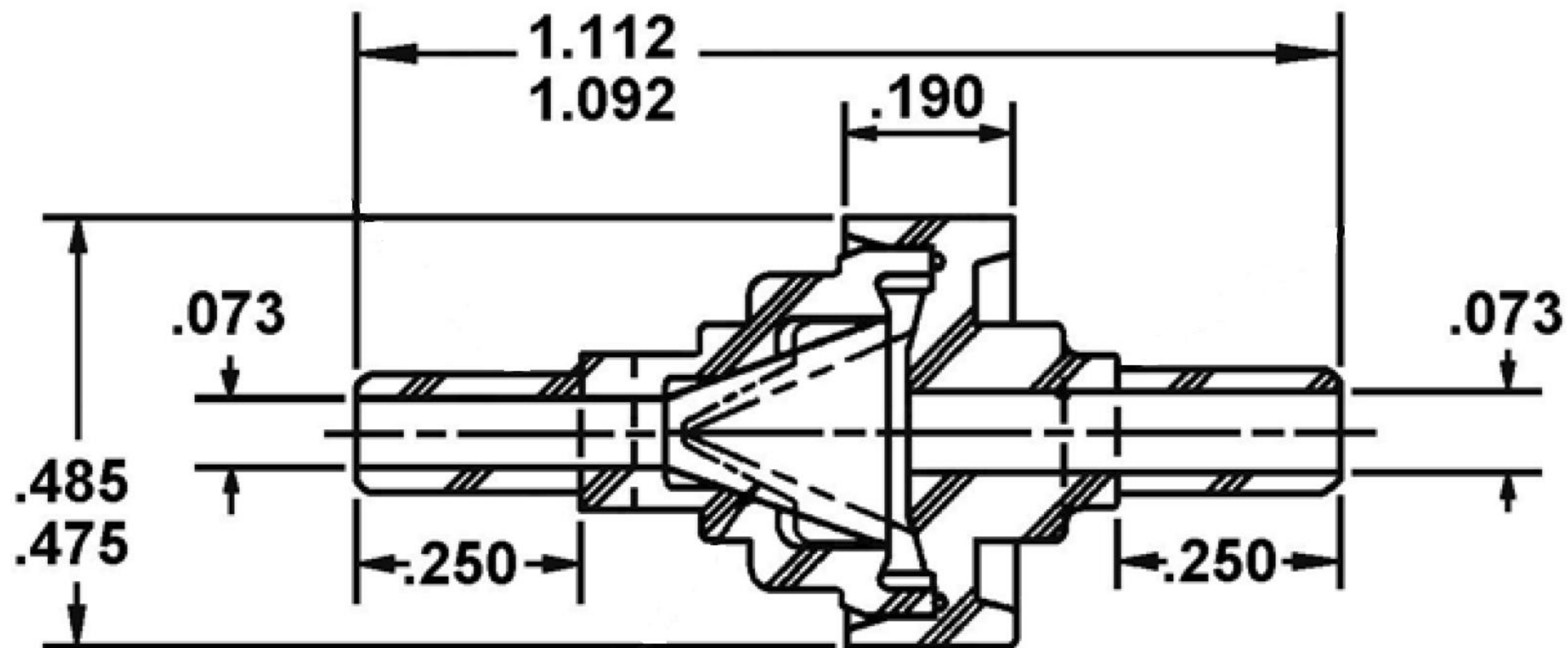
INDUSTRIAL SPECIALTIES MFG.

4091 S. Eliot St., Englewood, CO 80110-4396 • 303-781-8486 FAX: 303-761-7939 • www.industrialspec.com

CVT-18VL

Clear Acrylic Body

White Silicone Duckbill Valve



Dimensions In Inches