

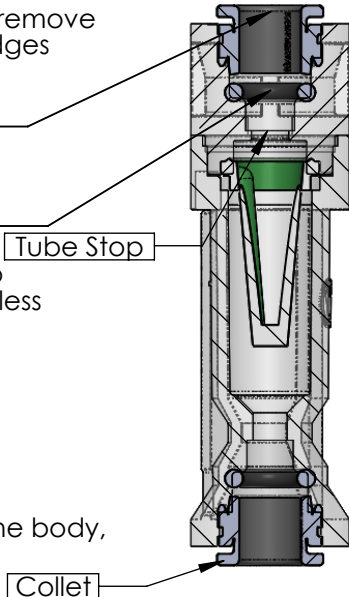
How to Effectively Install:

Cut the Tube square, remove all burrs and sharp edges

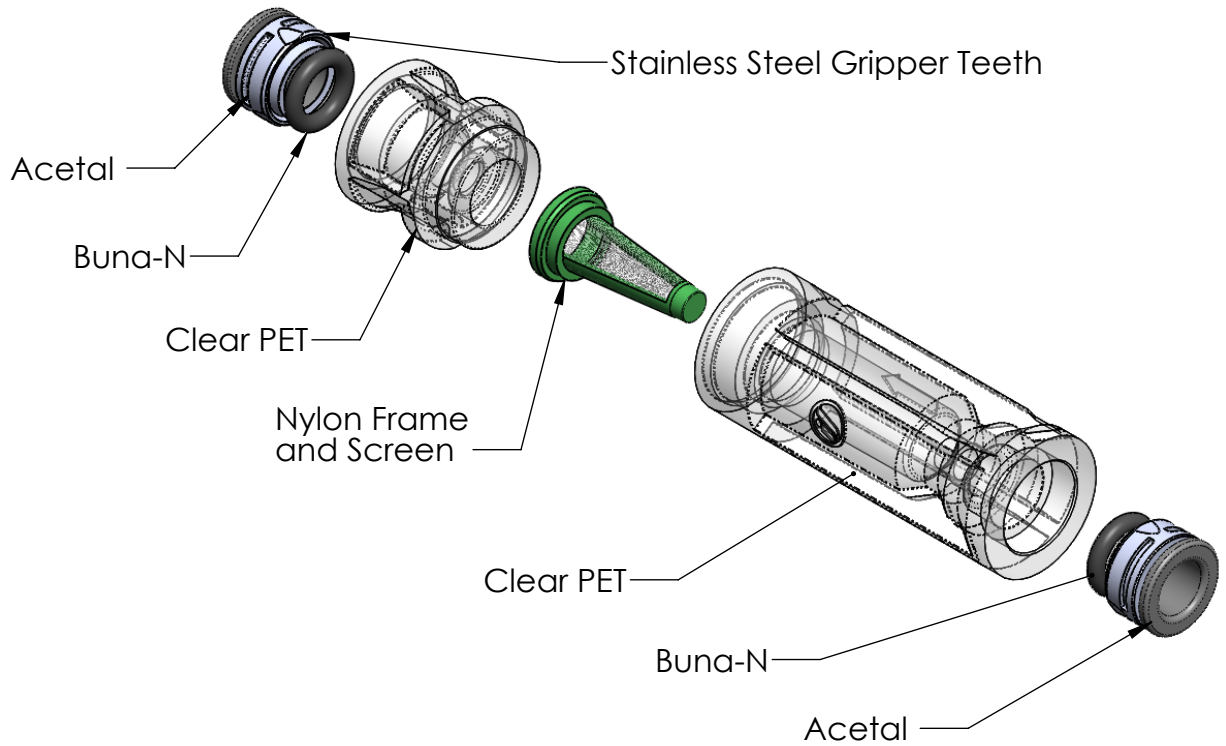
Insert Tube through the Collet

Push Tube through the O-Ring until the tube stop is reached

Pull the Tube back to secure with the Stainless Steel Gripper Teeth



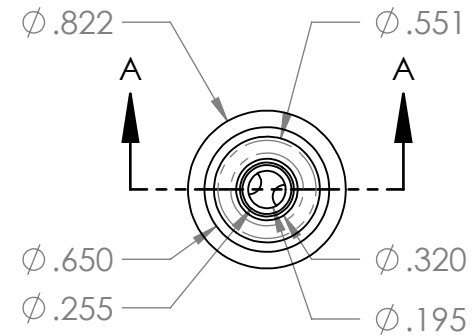
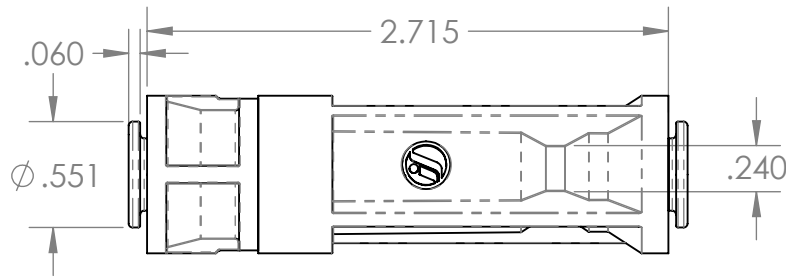
SECTION A-A



Disconnecting

Depressurize the line

Press Collet against the body, and pull on the Tube



PROPRIETARY AND CONFIDENTIAL

Description

6mm Push-In 250 micron Filter, Non Serviceable, Nylon Element, Buna-N O-rings, Acetal Push-In Connections, Clear PET Housing

Maximum Operating Pressure: 100 psi
 Maximum Vacuum: 29" Hg
 Maximum Temperature: 185° F

THE INFORMATION CONTAINED IN THIS DRAWING IS THE SOLE PROPERTY OF INDUSTRIAL SPECIALTIES MFG. AND IS MED SPECIALITES. ANY REPRODUCTION IN PART OR AS A WHOLE WITHOUT THE WRITTEN PERMISSION OF INDUSTRIAL SPECIALTIES MFG. AND IS MED SPECIALITES IS PROHIBITED.

NAME DATE
 DRAWN BY: M.E. 7/29/2014

PART#
 85190-60-670

REV
 1

SHEET 1 OF 1

SCALE: 1:1

DO NOT SCALE DRAWING



Industrial Specialties Mfg.
IS Med Specialties