

How to Effectively Install:

Cut the Tube square, remove all burrs and sharp edges

Insert Tube through the Collet

Push Tube through the O-Ring until the tube stop is reached

Pull the Tube back to secure with the Stainless Steel Gripper Teeth

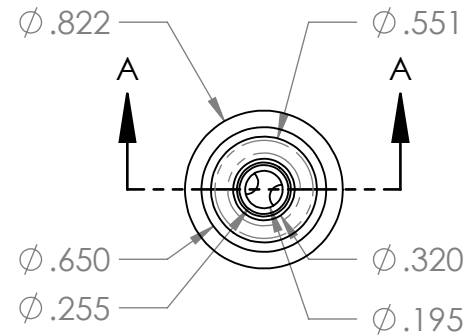
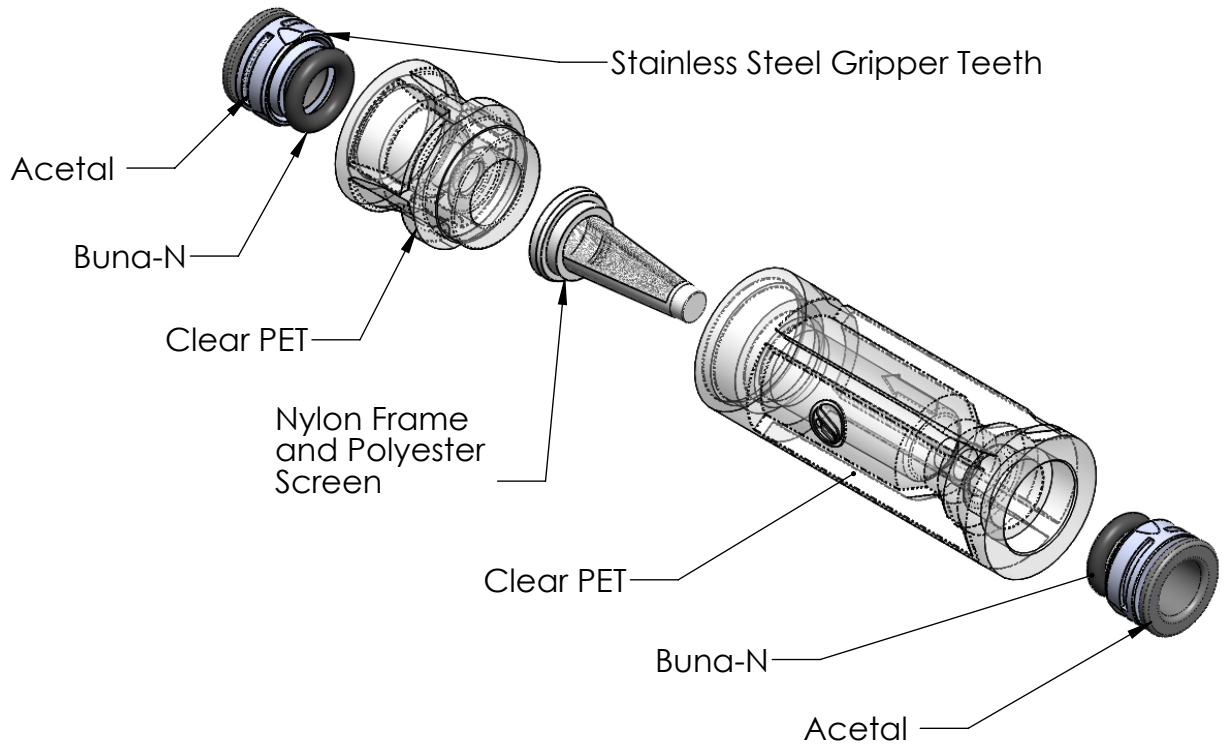
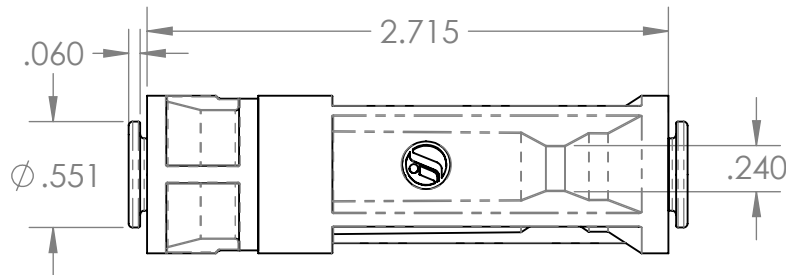
Disconnecting

Depressurize the line

Press Collet against the body, and pull on the Tube

Collet

SECTION A-A



PROPRIETARY AND CONFIDENTIAL

Description

THE INFORMATION CONTAINED IN THIS DRAWING IS THE SOLE PROPERTY OF INDUSTRIAL SPECIALTIES MFG. AND IS MED SPECIALITES. ANY REPRODUCTION IN PART OR AS A WHOLE WITHOUT THE WRITTEN PERMISSION OF INDUSTRIAL SPECIALTIES MFG. AND IS MED SPECIALITES IS PROHIBITED.

6mm Push-In 65 micron Filter, Non Serviceable, Nylon Element Frame with Polyester Screen, Buna-N O-rings, Acetal Push-In Connections, Clear PET Housing

Maximum Operating Pressure: 100 psi
Maximum Vacuum: 29" Hg
Maximum Temperature: 185° F

DRAWN BY:

NAME

M.E.

DATE

7/29/2014

PART#

85190-60-640

REV

1

SHEET 1 OF 1

SCALE: 1:1

DO NOT SCALE DRAWING



Industrial Specialties Mfg.
IS Med Specialties