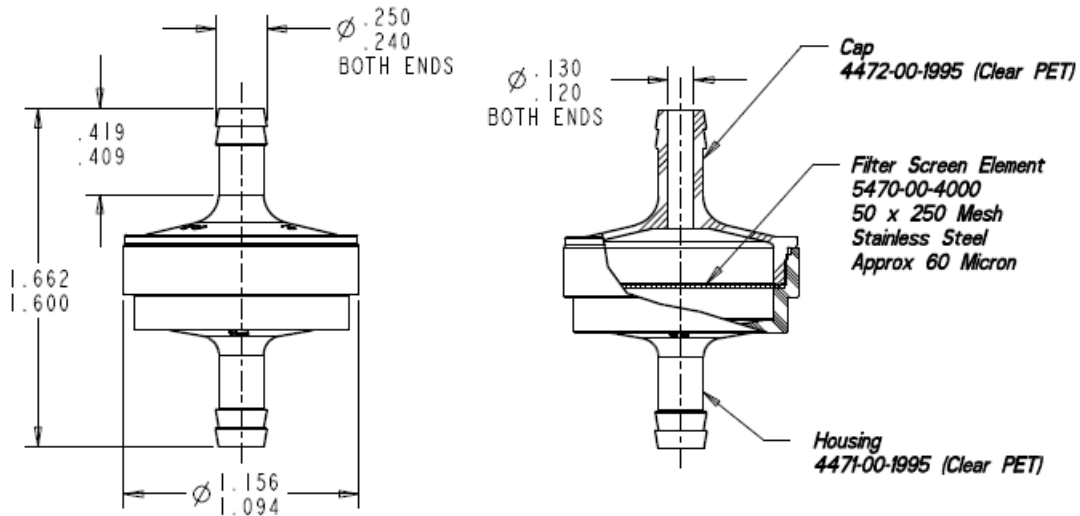
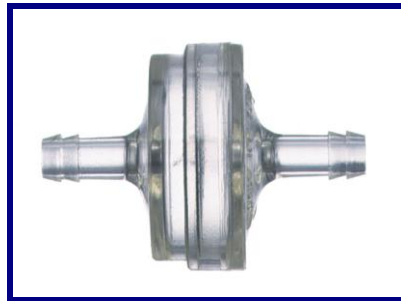


Visu Filter

Precision In-Line Fuel Filters

Part No. 8443-XX-9909 (FF901C) Technical Specification



Performance Properties	Typical Value
Hose Barb Size	1/4"
Fuel Line Recommendation	3/16"
Flow Rate (gal/hr) w/ 3 1/2" Fluid Head	3.2
Average Micron Rating	60
Component Materials	Housing: Clear PET (E-85 compatible) Filter Media: Stainless Steel Mesh Cap: Clear PET (E-85 compatible)