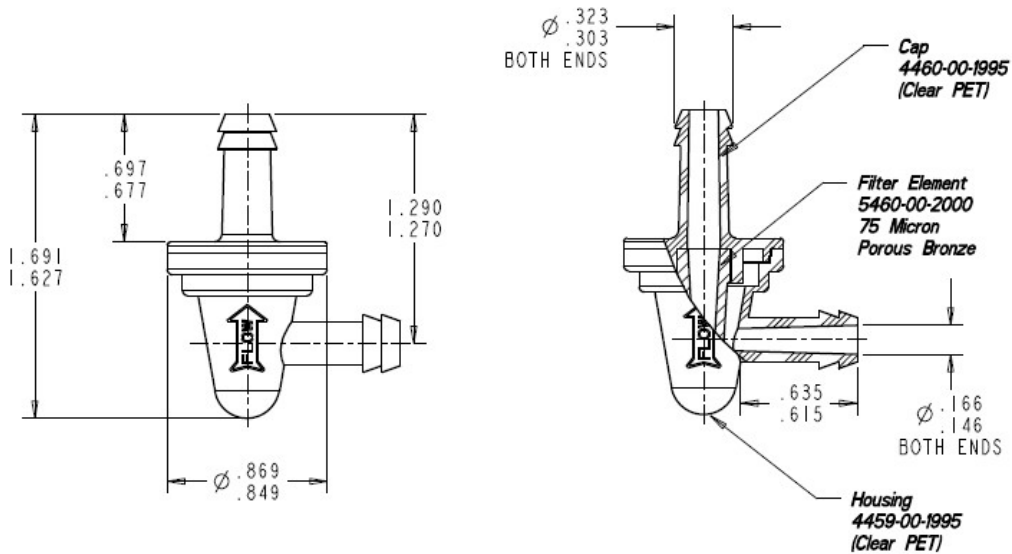


# Visu Filter

Precision In-Line Fuel Filters

## Part No. 8423-XX-9909 (FF701LC) Technical Specification



Performance Properties	Typical Value
Hose Barb Size	5/16"
Fuel Line Recommendation	1/4"
Flow Rate (gal/hr) w/ 3 1/2" Fluid Head	1.8
Average Micron Rating	65-100
Component Materials	Housing: Clear PET (E-85 compatible) Filter Media: Porous Sintered Bronze Cap: Clear PET (E-85 compatible)